



### Features

1. 300A ;
2. ;
3. 24W;  
Coil power consumption 24W.
4. 100M (1000VDC) 3.5kV;  
The insulation resistance reaches 100M (1000VDC), and the withstand voltage between the contacts and the coil is 3.5kV.
5. IP :IP67;
6. IEC 60664-1 GB/T14048.1 GB/T14048.4 ;  
Compliant with IEC 60664-1, GB/T14048.1 and GB/T14048.4 requirements.
7. RoHS 2015/863/EU REACH 1907/2006/EC ;  
Compliant with RoHS (2015/863/EC) and REACH (1907/2006/EC) requirements.
8. CE;

at23

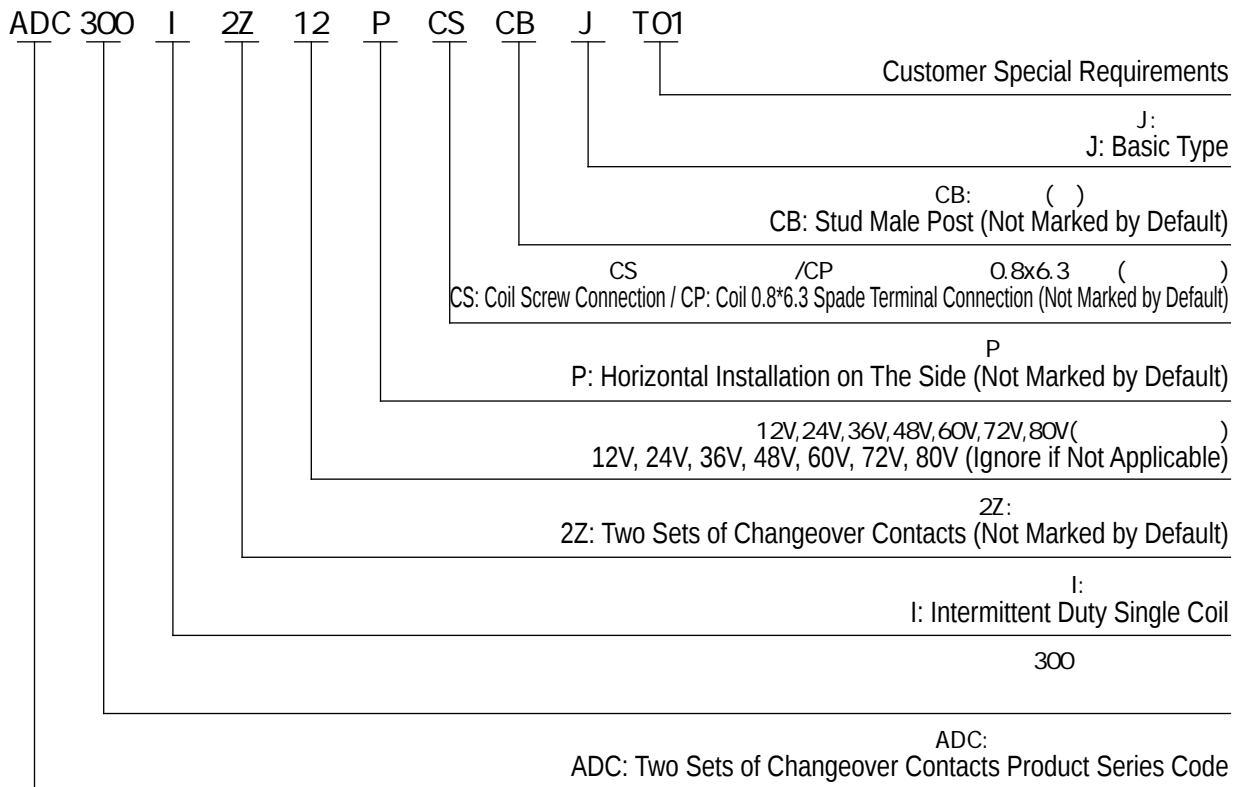
### Performance Parameters at23

	2K (2NO), 2B (2NC)	Pickup Voltage	70% U <sub>s</sub>
	30m	Dropout Voltage	5% -40% U <sub>s</sub>
Contact Voltage Drop	80mV(at 80A)	Contact Bounce Period	5ms
	4le, 1s		30ms
	-40 ~85	Dropout Time	30ms
	M6	Dielectric Strength	Between Main Contacts 50Hz/60Hz 1500VAC/1min
Vibration	3.5g,10~200Hz,1/2 3.5g,10~200Hz,1/2 Sine Wave (Power On)		Between Main Contacts and Coil 50Hz/60Hz 1500VAC/1min
	5 ~95 RH		100M 1min
Dimension	86mm*51mm*78mm		50M 1min
Operating Duty			20g 20g (Power On)
( ) Electrical Durability with Load (Resistive)	20000 020,000 Times		50g
Load Wiring Torque	3-6N.m	Mechanical Durability	100000 0100,000 Times
/	/	Coil Wiring Torque	0.5-0.8N.m

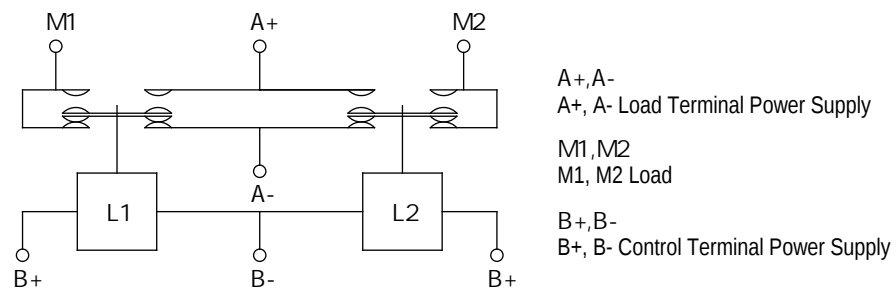
# ADC300IJ ADC300IJ Coil Parameters

Coil Voltage	Pickup Voltage	Dropout Voltage		
12V	70% U <sub>s</sub>	5% -40% U <sub>s</sub>	6 ± 10%	24W± 10%
24V	70% U <sub>s</sub>	5% -40% U <sub>s</sub>	24 ± 10%	24W± 10%
36V	70% U <sub>s</sub>	5% -40% U <sub>s</sub>	54 ± 10%	24W± 10%
48V	70% U <sub>s</sub>	5% -40% U <sub>s</sub>	96 ± 10%	24W± 10%
60V	70% U <sub>s</sub>	5% -40% U <sub>s</sub>	150 ± 10%	24W± 10%
72V	70% U <sub>s</sub>	5% -40% U <sub>s</sub>	216 ± 10%	24W± 10%

## Model Coding



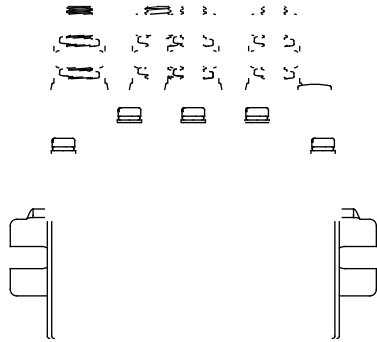
## Wiring Diagram



**ADC300IJ**  
ADC300IJ Wiring Diagram

# Outline Installation Dimension Drawing

## ADC300ICSJ



4-M6  
Load Wiring 4-M6  
3.0-6.0N.m  
Torque 3.0-6.0N.m

3-M3  
Coil Wiring 3-M3  
0.5-0.8N.m  
Torque 0.5-0.8N.m

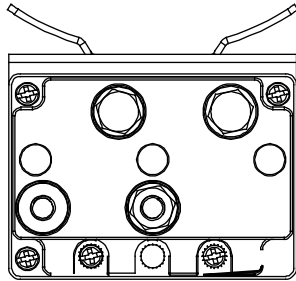
## ADC300IJ

4-M6  
Load Wiring 4-M6  
3.0-6.0N.m  
Torque 3.0-6.0N.m

3-0.8x6.3  
Coil Wiring 3-0.8\*6.3

## Outline Installation Dimension Drawing

ADC200IYCSJ



4-M6  
Load Wiring 4-M6  
3.0-6.0N.m  
Torque 3.0-6.0N.m

3-M3  
Coil Wiring 3-M3  
0.5-0.8N.m  
Torque 0.5-0.8N.m

ADC200IYJ

4-M6  
Load Wiring 4-M6  
3.0-6.0N.m  
Torque 3.0-6.0N.m

3-0.8x6.3  
Coil Wiring 3-0.8\*6.3

1.