

**Features**

1. 400A ;  
Intermittent 400A load.
2. ;  
It has two sets of normally open and two sets of normally closed contacts.
3. 24W;
4. 100M (1000VDC) 3.5kV;
5. IP :IP67;  
IP protection level: IP67.
6. IEC 60664-1 GB/T14048.1 GB/T14048.4 ;
7. RoHS 2015/863/EU REACH 1907/2006/EC ;
8. CE;  
Safety certificate: CE.

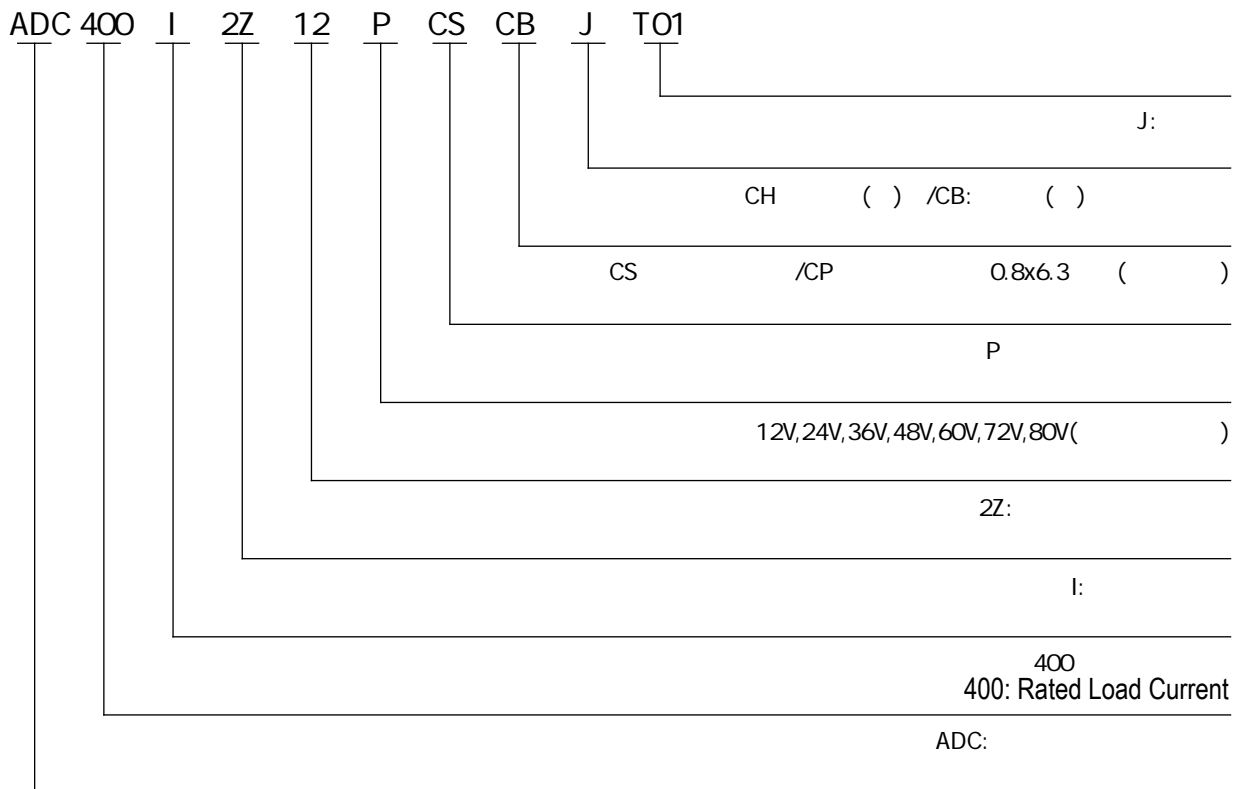
at23  
**Performance Parameters at23**

Contact Arrangement	2K (2NO), 2B (2NC)	
Contact Resistance	30m	
	80mV(at 120A)	
	4le, 1s	30ms
	-40 ~85	30ms
	M8	50Hz/60Hz 1500VAC/1min
	3.5g,10~200Hz,1/2	50Hz/60Hz 1500VAC/1min
	5 ~95 RH	100M 1min
	105mm*60mm*92mm	50M 1min
	20000	50g
	8-10N.m	
/	/	

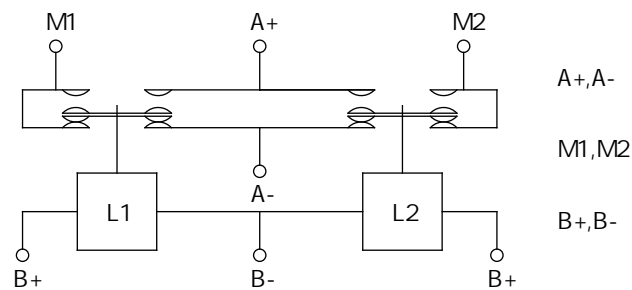
## ADC400IJ ADC400IJ Coil Parameters

			Coil Resistance	Coil Power Consumption
12V	70% Us	5% -40% Us	6 ± 10%	24W± 10%
24V	70% Us	5% -40% Us	24 ± 10%	24W± 10%
36V	70% Us	5% -40% Us	54 ± 10%	24W± 10%
48V	70% Us	5% -40% Us	96 ± 10%	24W± 10%
60V	70% Us	5% -40% Us	150 ± 10%	24W± 10%
72V	70% Us	5% -40% Us	216 ± 10%	24W± 10%

### Model Coding



### Wiring Diagram



**ADC400IJ**  
ADC400IJ Wiring Diagram

# Outline Installation Dimension Drawing

ADC400IJ

2- $\emptyset$

4-M8  
Load Wiring 4-M8  
8-10N.m

3-M3  
0.5-0.8N.m

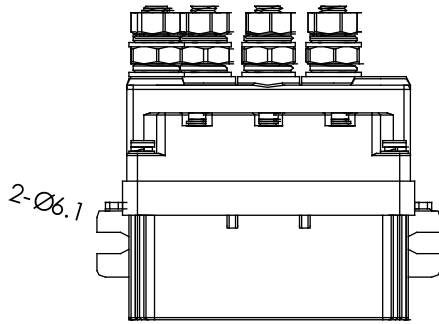
ADC400ICPJ

4-M8  
Load Wiring 4-M8  
8-10N.m

3-0.8x6.3  
Spade Terminal

# Outline Installation Dimension Drawing

## ADC400ICBJ



4-M8  
Load Wiring 4-M8  
8-10N.m

3-M3  
0.5-0.8N.m

## ADC400ICPCBJ

2-Ø6.1

4-M8  
Load Wiring 4-M8  
8-10N.m

3-0.8x6.3  
Spade Terminal

# Outline Installation Dimension Drawing

4-M8

3-0.8x6.3

Spade Terminal

## Usage Cautions

1.

2.