



Features

1. 250A ;
2. ;
3. 24W;
4. 100M (1000VDC) 2kV;
5. IP :IP67;
6. IEC 60664-1 GB/T14048.1 GB/T14048.4 ;
7. RoHs 2015/863/EU REACH 1907/2006/EC ;
8. CE RoHS

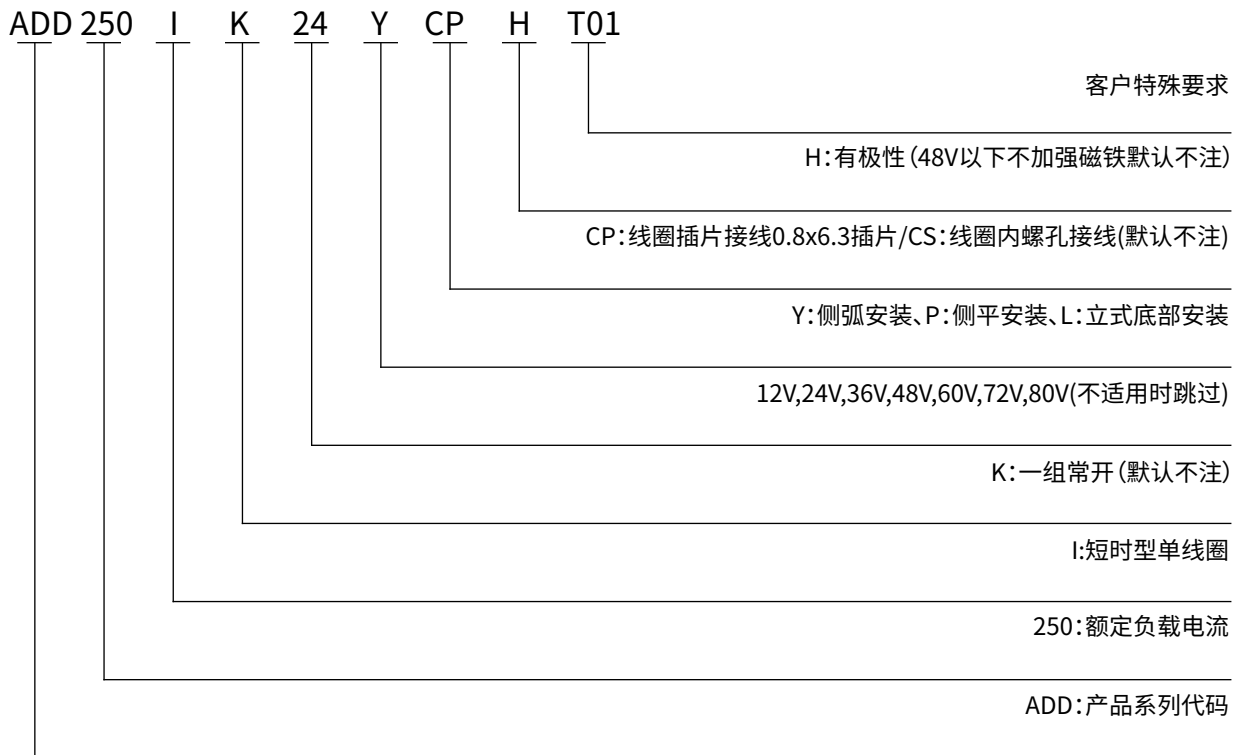
at23
Performance Parameters at23

1K (1NO)	70% Us
5m	5% -40% Us
80mV (at 150A)	5ms
7le, 1s	30ms
-40 ~-55	30ms
M8	50Hz/60Hz 1500VAC/1min
3.5g,10~200Hz,1/2	50Hz/60Hz 1500VAC/1min
5 ~95 RH	100M 1min
76.8x70.6x68.5mm	50M 1min
()	20g
50000 (24V/300A)	50g
8-10N.m	500000
/	2-3N.m

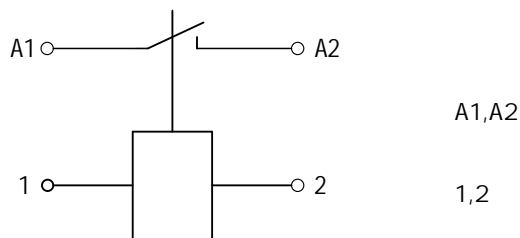
ADD250I ADD250I Coil Parameters

12V	70% Us	5% -40% Us	6 ± 10%	24W± 10%
24V	70% Us	5% -40% Us	24 ± 10%	24W± 10%
36V	70% Us	5% -40% Us	54 ± 10%	24W± 10%
48V	70% Us	5% -40% Us	96 ± 10%	24W± 10%
60V	70% Us	5% -40% Us	150 ± 10%	24W± 10%
72V	70% Us	5% -40% Us	216 ± 10%	24W± 10%

Model Coding

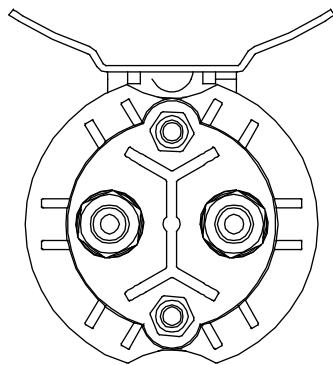
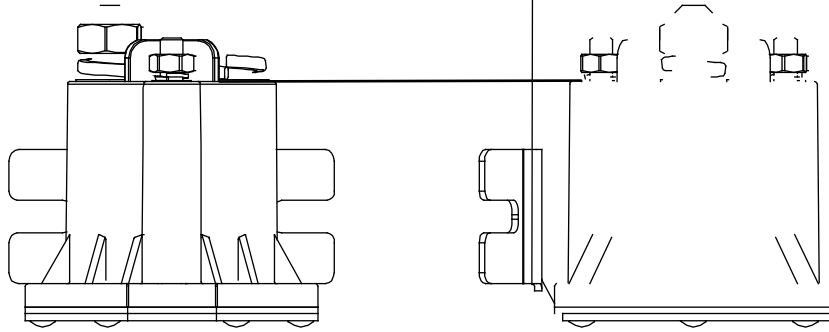


Wiring Diagram



ADD250I
ADD250I Wiring Diagram

Outline Installation Dimension Drawing



2-M8

8-10N.m

2-M5

2-3N.m

2-M8

8-10N.m

2-M5

2-3N.m

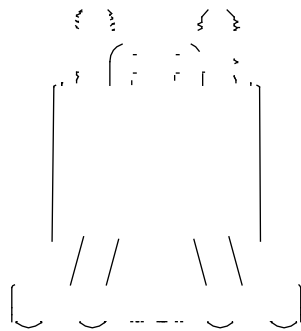
Outline Installation Dimension Drawing

2-M8

8-10N.m

2-M5

2-3N.m

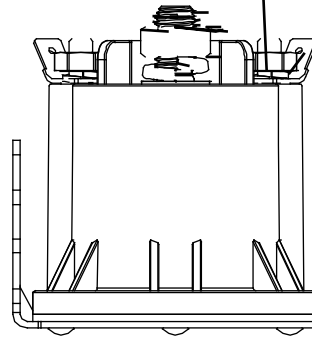
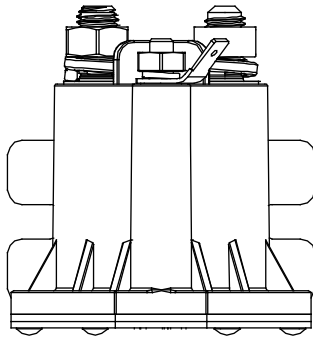


2-M8

8-10N.m

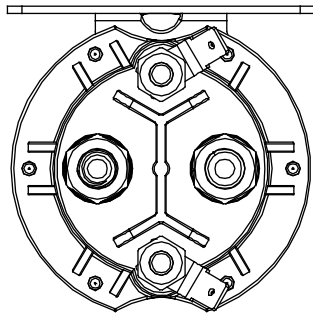
T=0.8x6.3

Outline Installation Dimension Drawing



2-M8

8-10N.m



T=0.8x6.3

2-M8

8-10N.m

T=0.8x6.3

Usage Cautions

1.

2.

3.

4.

5.

6. 30cm

7.

8.

9.

10.

11.

12.