

- 1. 300A 400A 5\_ [ ;
- 2. ;
- 3. 24I ;  
Coil power consumption 024W.
- 4. 100? (1000HDC) 2] H;

at23

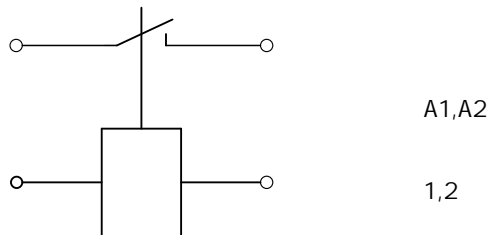
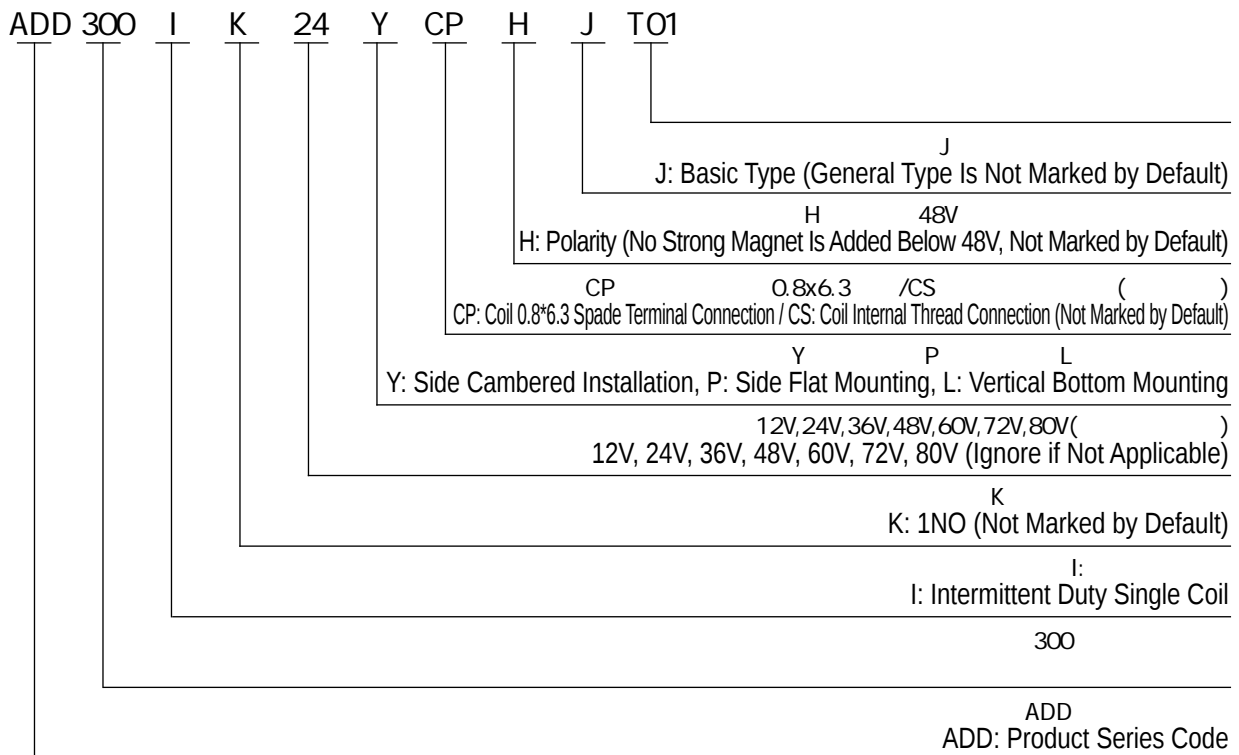
at23

	1K (1@A)
	5_
	80_ H(Sf 150A)
	7W 1e
	-40 p55
	? 8
	3.5Y,10p200HI ,1/2
	5 p95 DH
	71j 71j 68.5_ _
	100000 (12H/300A)
	8-10@_ _
/	/

30\_ e  
10\_ e  
50HI /60HI 1500HAC/1\_ [ ^  
50HI /60HI 1500HAC/1\_ [ ^  
100? 1\_ [ ^  
50? 1\_ [ ^  
50Y

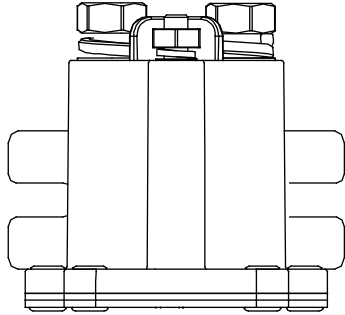
# ADD300IJ

Coil Voltage	Pull-In Voltage	Drop-Out Voltage		
12H	70% Ge	5% -40% Ge	6 f 10%	24I f 10%
24H	70% Ge	5% -40% Ge	24 f 10%	24I f 10%
36H	70% Ge	5% -40% Ge	54 f 10%	24I f 10%
48H	70% Ge	5% -40% Ge	96 f 10%	24I f 10%
60H	70% Ge	5% -40% Ge	150 f 10%	24I f 10%
72H	70% Ge	5% -40% Ge	216 f 10%	24I f 10%



**ADD300IJ**  
 ADD300IJ I [d] Y D[SYdS\_

ADD300IJ



2-? 8  
Load Wiring 2-M8  
8-10@\_

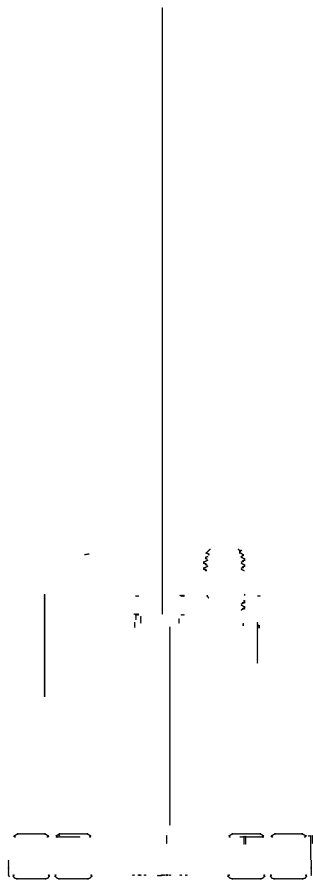
2-? 5  
Load Wiring 2-M5  
2-3@\_

ADD300IPJ

2-? 8  
Load Wiring 2-M8  
8-10@\_

2-? 5  
Load Wiring 2-M5  
2-3@\_

ADD300ILJ



2-? 8  
Load Wiring 2-M8  
8-10@\_

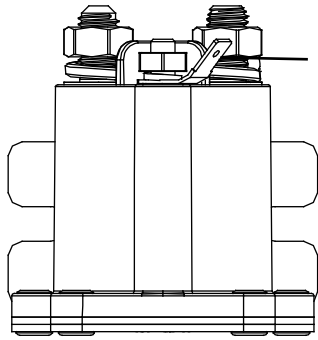
2-? 5  
Load Wiring 2-M5  
2-3@\_

ADD300IYCPJ

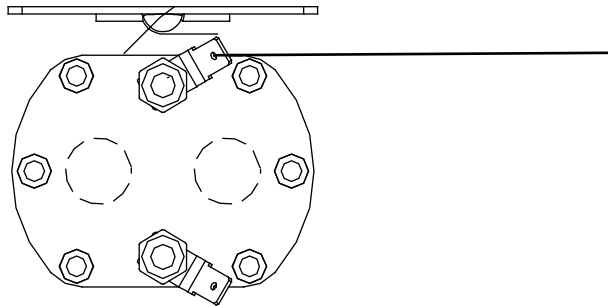
2-? 8  
Load Wiring 2-M8  
8-10@\_

F=0.8j 6.3  
Coil Wiring T=0.8\*6.3

ADD300IPCPJ



2-? 8  
Load Wiring 2-M8  
8-10@\_



F=0.8j 6.3  
Coil Wiring T=0.8\*6.3

ADD300ILCPJ

2-? 8  
Load Wiring 2-M8  
8-10@\_

F=0.8j 6.3  
Coil Wiring T=0.8\*6.3



1.

2.

3.

When installing and using this product, regardless of wiring or fixed installation, it is required to use anti-loose spring washers.

4.

5.

Do not install the contactor in places with strong magnetic fields (such as transformers or strong magnets), or close to objects

6.                   30U\_

It is forbidden to use the product that have been dropped from a high place (height $\geq$ 30cm).

7.

8.

It is forbidden to use the product beyond the rated electrical life. When the rated electrical life is reached, although the product

9.

10.

AOKAI only does the resistive electrical life verification and quality assurance. When the product is used in an environment

11.

12.