

Features

- #ž ' " 3 - Continuous 50A load.
- \$ž - It has one set of normally open contacts.
- %ž *| - Coil power consumption ≤8W.
- &ž # " ? / # " " H65fi %ž] H- The insulation resistance reaches 100MΩ (1000VDC), and the withstand voltage between the contacts and the coil is 3.5kV.
- ' ž;B ;;B' " - IP protection level: IP50.
- (ž ;75 (" (&ž# 94! F#&" &*ž# 94! F#&" &*ž& - Compliant with IEC 60664-1, GB/T14048.1 and GB/T14048.4 requirements.
-)ž Da: E \$" #' !*(% 7G D735: #+")!\$" "(!75 - Compliant with RoHS (2015/863/EC) and REACH (1907/2006/EC) requirements.
- *ž 57 555 Da: E Safety certificate: CE, CCC, RoHS.

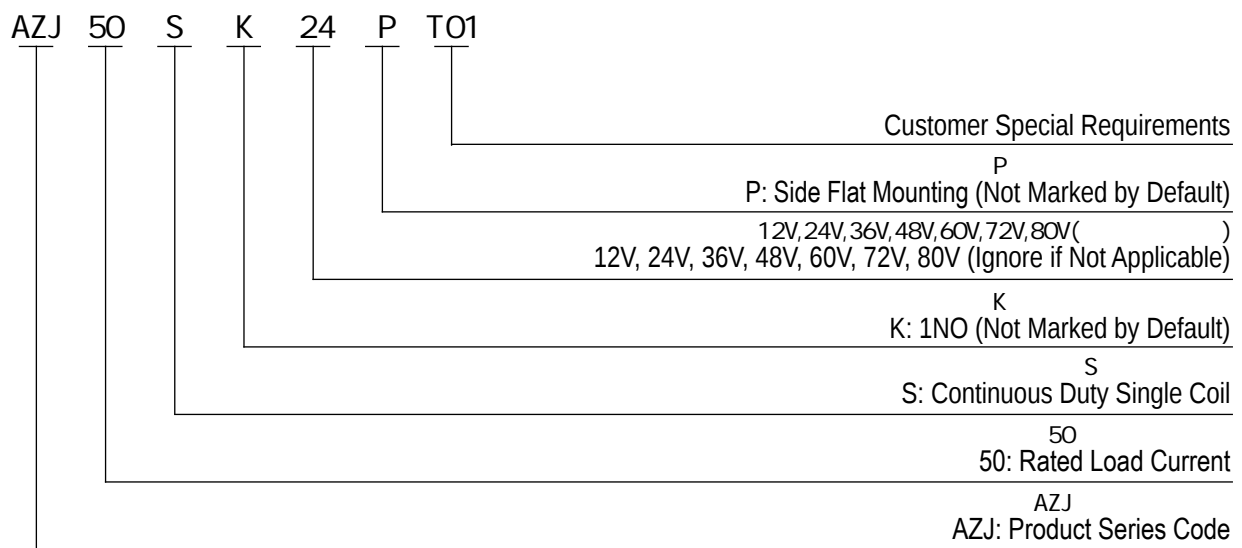
at23
Performance Parameters at23

Contact Arrangement	#= /#@A fi	Pickup Voltage)" . Ge
Contact Resistance	" ž _	Dropout Voltage	' . Ž&" . Ge
Contact Voltage Drop	*" _ H/Sf' " 3fi	Contact Bounce Period	' _ e
Overload Current) \W #e	Pickup Time	%" _ e
Temperature	ž&" p**	Dropout Time	%" _ e
Load Terminal	? ' M5 External Thread	Dielectric Strength	Between Main Contacts ' " : !!(" : #' " " H35! #_ [
Vibration	%ž Yl#" p\$" " : H#! \$ 3.5g, 10~200Hz, 1/2 Sine Wave (Power On)		Between Main Contacts and Coil ' " : !!(" : #' " " H35! #_ [
Relative Humidity	' p+' D:	Insulation Resistance	Initial State # " " ? #_ [
Dimension	' (j %*j' * _ _		After Electrical Life ' " ? #_ [
Operating Duty	Continuous	Shock	Stability \$ž Y 2.5g (Power On)
Electrical Durability with Load (Resistive)	\$" " " " ≥20,000 Times		Strength ' Y
Load Wiring Torque	\$ž%@ž_	Mechanical Durability	# " " " " " ≥100,000 Times
!	!	Coil Wiring Torque	#ž\$ž\$ž' @ž_

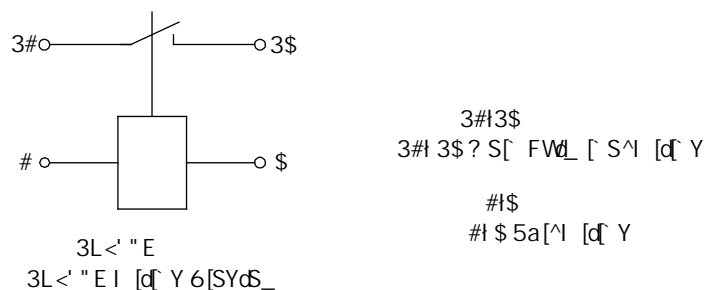
AZJ 50S AZJ50S Coil Parameters

Coil Voltage	Pickup Voltage	Dropout Voltage	Coil Resistance	Coil Power Consumption
# \$H) " . Ge	' . Z&" . Ge	#* f ' .	* f ' .
\$&H) " . Ge	' . Z&" . Ge) \$ f ' .	* f ' .
% (H) " . Ge	' . Z&" . Ge	# (\$ f ' .	* f ' .
&* H) " . Ge	' . Z&" . Ge	\$** f ' .	* f ' .
(" H) " . Ge	' . Z&" . Ge	&' " f ' .	* f ' .
) \$H) " . Ge	' . Z&" . Ge	(&* f ' .	* f ' .

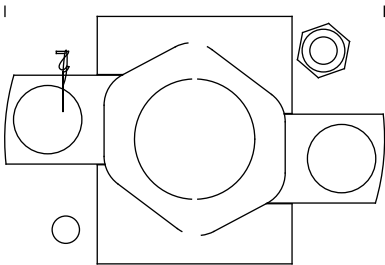
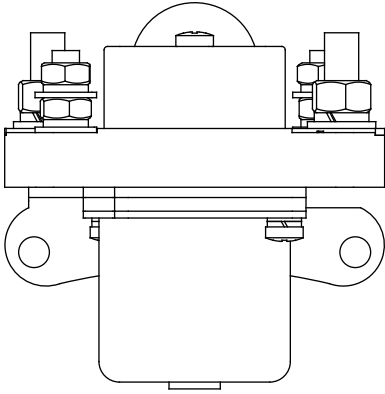
Model Coding



Wiring Diagram



Outline Installation Dimension Drawing



\$Z? &
Load Wiring 2-M4
#z\$z@z_ \$z' @z_ ? Sj
Torque 1.2-2N.m 2.0N.m Max

\$Z? '
Load Wiring 2-M5
\$Z%@z_ %@z_ ? Sj
Torque 2-3N.m 13N.m Max

Usage Cautions

#ž

This document is only for customer selection reference, AOKAI has tried the best to ensure the accuracy of the information in this document. Product specifications and parameters may be changed due to product improvement etc., they may be inconsistent because of not updated in time. For the specific parameters and performance of each product, please refer to the samples provided by AOKAI and the corresponding signed and controlled specification.

\$ž

Regarding the application of this product, please select the matching product according to your specific use conditions and environmental requirements when selecting the product. If the requirements are not clearly specified, please contact AOKAI to obtain more technical support.

%ž

When installing and using this product, regardless of wiring or fixed installation, it is required to use anti-loose spring washers.

&ž

The torque for installing fasteners should be within the standard range required by this specification. It may cause the unstable installation or damaging the product if the torque is lower than the minimum torque or higher than the maximum torque.

' ž

Do not install the contactor in places with strong magnetic fields (such as transformers or strong magnets), or close to objects with thermal radiation. It is recommended to use it with a cooling fan.

(ž % U_

It is forbidden to use the product that have been dropped from a high place (height \geq 30cm).

) ž

It is forbidden to use the product in an environment with oil pollution, especially before wiring, it will seriously affect the main terminals conductivity if they are polluted by oil pollution, and affect the product life.

* ž

It is forbidden to use the product beyond the rated electrical life. When the rated electrical life is reached, although the product can continue to work, there is a risk of failure, explosion, and burning because of non-breaking.

+ž

This product cannot be used as a protector, and the circuit must be connected with a protector in series when using.

#" ž

AOKAI only does the resistive electrical life verification and quality assurance. When the product is used in an environment with inductive load or capacitive load, it is recommended that the circuit should be connected in parallel with a surge protection device.

##ž

After continuous work, restarting immediately after disconnection will affect the pull-in voltage because the product is in a hot state, and the pull-in voltage will increase, which is a reasonable phenomenon.

#\$ž

It is strictly prohibited to wiring when power on.