

特性 Features

1.

IP67

Using ceramic brazing technology, the contact part is filled with mainly hydrogen gas to effectively prevent contact oxidation and burnout. The contact resistance is low and stable, and the contact part can meet the IP67 protection grade.

主触点参数 Main Contact Specification

Contact Arrangement	1K (1NO)
	0.5m (at 20A)
	750VDC
	200A (450VDC) 1 (Ops)
	100,000 (Ops) (450VDC, 20A)
	75,000 (Ops) (750VDC, 20A)
	200,000 (Ops)
	30A, 1h
	40A, 20min
	80A, 30S
	120A, 10S
	200A, 0.6S

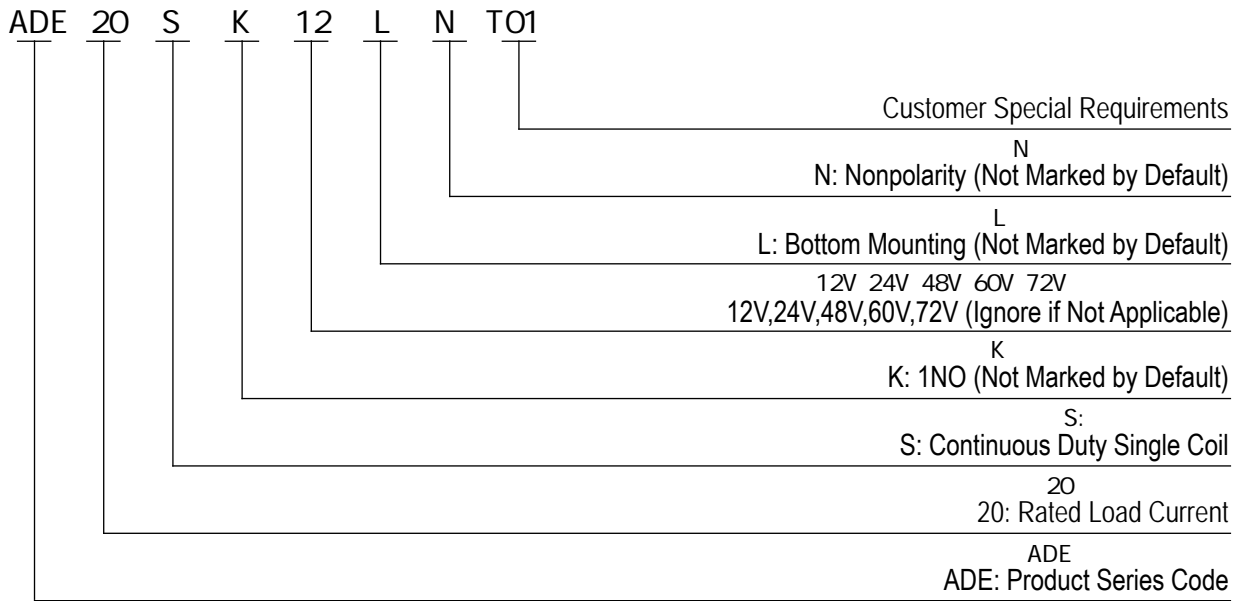
性能参数 (at 23°C) Performance Parameter (at 23°C)

5ms
10ms
3,000VDC 1min
4,000VDC 1min
100M 1min
50M 1min
50g

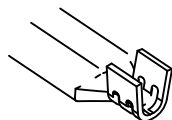
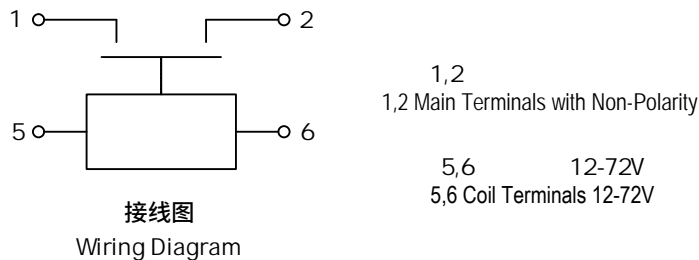
ADE20线圈参数 ADE20 Coil Parameter

Coil Voltage	Pickup Voltage VDC	Dropout Voltage VDC	Coil Resistance	Coil Power Consumption
12V	75% U _s	8% U _s	48 Ω 10%	3Wf 10%
24V	75% U _s	8% U _s	192 Ω 10%	3Wf 10%
48V	75% U _s	8% U _s	761 Ω 10%	3Wf 10%
60V	75% U _s	8% U _s	1200 Ω 10%	3Wf 10%
72V	75% U _s	8% U _s	1728 Ω 10%	3Wf 10%

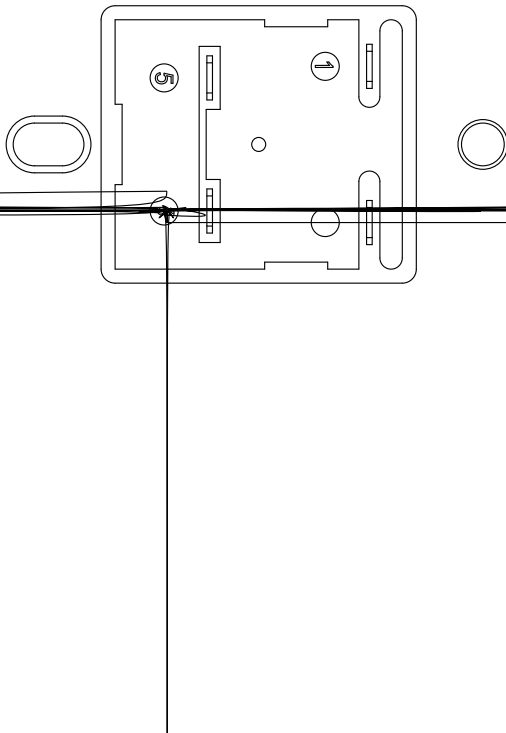
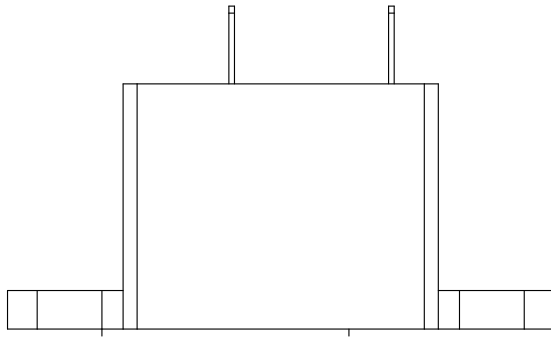
型号说明 Model Coding



接线原理图 Wiring Diagram



外形安装尺寸图
Outline Installation Dimension Drawing



1.

This document is only for customer selection reference, AOKAI has tried the best to ensure the accuracy of the information in this document. Product specifications and parameters may be changed due to product improvement etc., they may be inconsistent because of not updated in time. For the specific parameters and performance of each product, please refer to the samples provided by AOKAI and the corresponding signed and controlled specification.

2.

Regarding the application of this product, please select the matching product according to your specific use conditions and environmental requirements when selecting the product. If the requirements are not clearly specified, please contact AOKAI to obtain more technical support.

3.

When installing and using this product, regardless of wiring or fixed installation, it is required to use anti-loose spring washers.

4.

The torque for installing fasteners should be within the standard range required by this specification. It may cause the unstable installation or damaging the product if the torque is lower than the minimum torque or higher than the maximum torque.

5.

Do not install the contactor in places with strong magnetic fields (such as transformers or strong magnets), or close to objects with thermal radiation. It is recommended to use it with a cooling fan.

6.

30cm

It is forbidden to use the product that have been dropped from a high place (height \geq 30cm).

7.

It is forbidden to use the product in an environment with oil pollution, especially before wiring, it will seriously affect the main terminals conductivity if they are polluted by oil pollution, and affect the product life.

8.

It is forbidden to use the product beyond the rated electrical life. When the rated electrical life is reached, although the product can continue to work, there is a risk of failure, explosion, and burning because of non-breaking.

9.

This product cannot be used as a protector, and the circuit must be connected with a protector in series when using.

10.

AOKAI only does the resistive electrical life verification and quality assurance. When the product is used in an environment with inductive load or capacitive load, it is recommended that the circuit should be connected in parallel with a surge protection device.

11.

After continuous work, restarting immediately after disconnection will affect the pull-in voltage because the product is in a hot state, and the pull-in voltage will increase, which is a reasonable phenomenon.

12.

It is strictly prohibited to wiring when power on.