



Features

1. 125A ;
2. ;
3. 30W;
Coil power consumption 0.30W.
4. 100M (1000VDC) 1kV;
The insulation resistance reaches 100M (1000VDC), and the withstand voltage between the contacts and the coil is 1kV.
5. IP :IP40;
IP protection level: IP40.
6. IEC 60664-1 GB/T14048.1 GB/T14048.4 ;
Compliant with IEC 60664-1, GB/T14048.1 and GB/T14048.4 requirements.
7. RoHS 2015/863/EU REACH 1907/2006/EC ;
Compliant with RoHS (2015/863/EC) and REACH (1907/2006/EC) requirements.
8. CE RoHS;
Safety certificate: CE, RoHS.

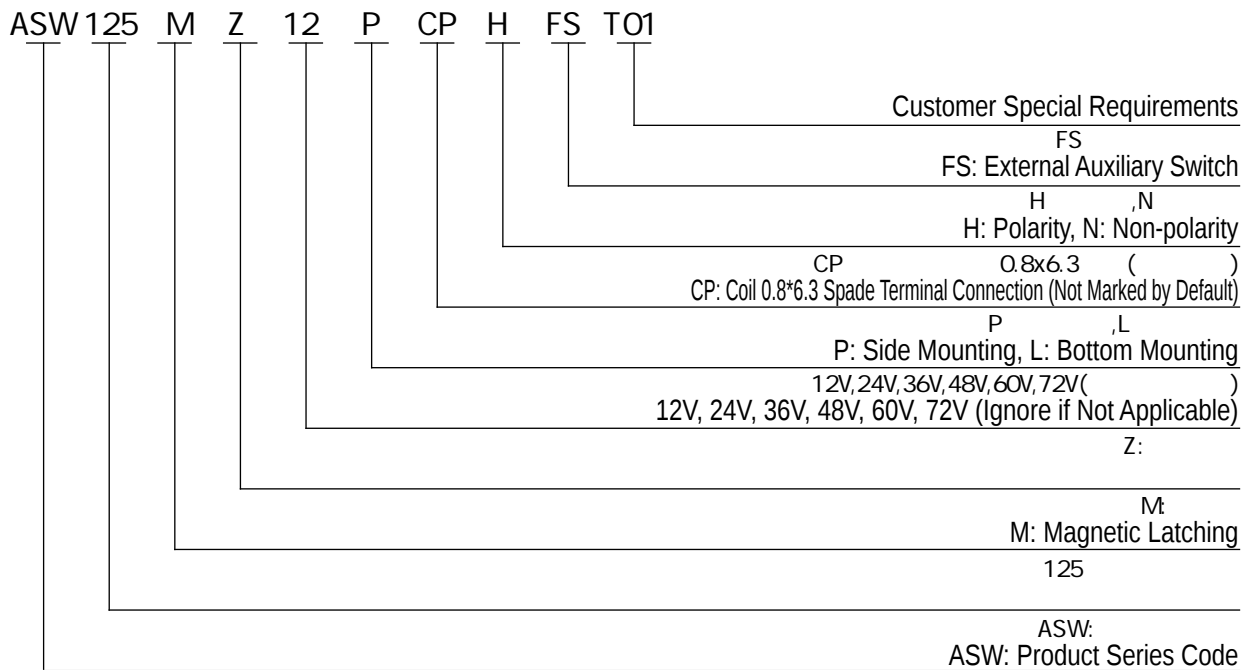
at23
Performance Parameters at23

	1K 1NO 1B 1NC Bistable 1K (1NO),1B (1NC)	Pickup Voltage	70% Us
	0.5m	Dropout Voltage	10% Us
Contact Voltage Drop	80mV(at 125A)	Contact Bounce Period	5ms
	7le, 1s		30ms
	-40 ~65	Dropout Time	30ms
	M8 M8 External Thread	Dielectric Strength	Between Main Contacts 50Hz/60Hz 1000VAC/1min
Vibration	3.5g, 10~200Hz, 1/2 3.5g, 10~200Hz, 1/2 Sine Wave (Power On)		Between Main Contacts and Coil 50Hz/60Hz 1000VAC/1min
	20 ~90 RH		100M 1min
Dimension	57x48x89mm		50M 1min
Operating Duty			60-100) / 4g (60-100)times/min, Acceleration0.4g
Electrical Durability with Load (Resistive)	6000 0.6,000 Times	Mechanical Durability	100000 0.100,000 Times
Load Wiring Torque	8-10N.m	Coil Wiring	6.3x0.8 6.3*0.8 Spade Terminal

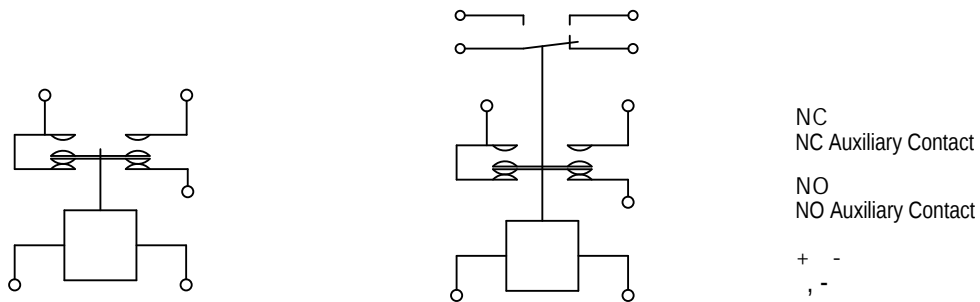
ASW125MZ ASW125MZ Coil Parameter

Coil Voltage	Pickup Voltage VDC	Dropout Voltage VDC		
12V	20% -80% Us	20% -80% Us	2A	15 30W
24V	20% -80% Us	20% -80% Us	1A	15 30W
36V	20% -80% Us	20% -80% Us	0.75A	15 30W
48V	20% -80% Us	20% -80% Us	0.7A	15 30W
60V	20% -80% Us	20% -80% Us	0.5A	15 30W
72V	20% -80% Us	20% -80% Us	0.4A	15 30W

Model Coding



Wiring Diagram



Wiring Diagram Without Micro Switch

Wiring Diagram with Micro Switch

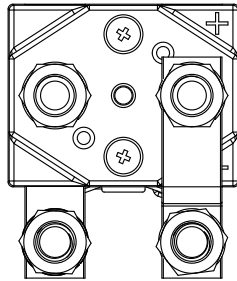
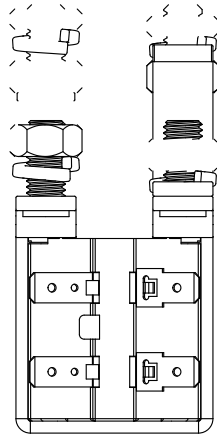
ASW125MZ

500ms t 1s,

6

Note: ASW125MZ coil is energized by positive and negative pulses, and the energizing time is 500ms t 1s. The coil cannot be energized continuously for a long time, the operating frequency should not exceed 6 times per minute, and the pulse should be a square wave. Positive pulse ("+" is connected to the positive of power supply, and "-" is connected to the negative of power supply) makes the contacts closed, and negative pulse ("+" to the negative of power supply, "-" to the positive of power supply) makes the contacts open. After the coil is de-energized, the contact state is maintained by the permanent magnetic steel in the product.

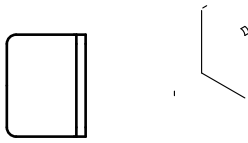
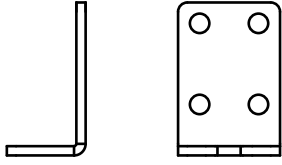
Outline Installation Dimension Drawing



2-M8
Load Wiring 2-M8
8-10N.m
Torque 8-10N.m

T=0.8x6.3
Coil Wiring T=0.8*6.3

Outline Installation Dimension Drawing



Usage Cautions

1.

This document is only for customer selection reference, AOKAI has tried the best to ensure the accuracy of the information in this document. Product specifications and parameters may be changed due to product improvement etc., they may be inconsistent because of not updated in time. For the specific parameters and performance of each product, please refer to the samples provided by AOKAI and the corresponding signed and controlled specification.

2.

Regarding the application of this product, please select the matching product according to your specific use conditions and environmental requirements when selecting the product. If the requirements are not clearly specified, please contact AOKAI

3.

When installing and using this product, regardless of wiring or fixed installation, it is required to use anti-loose spring washers.

4.

The torque for installing fasteners should be within the standard range required by this specification. It may cause the unstable installation or damaging the product if the torque is lower than the minimum torque or higher than the maximum torque.

5.

Do not install the contactor in places with strong magnetic fields (such as transformers or strong magnets), or close to objects

6.

30cm

It is forbidden to use the product that have been dropped from a high place (height \geq 30cm).

7.

The driving power of the product coil must be bigger than or equal to the coil power of the product, otherwise the product

8.

When the coil is continuously energized, the coil voltage cannot exceed the maximum allowable voltage, otherwise the

9.

This product is not waterproof. Please do not use it in an environment where water, solvent, or oil may come into contact with the casing or terminals. Otherwise, the aging of the casing or corrosion of the terminals may cause abnormal heating.

10.

It is forbidden to use the product beyond the rated electrical life. When the rated electrical life is reached, although the product can continue to work, there is a risk of failure, explosion, and burning because of non-breaking.

11.

This product cannot be used as a protector, and the circuit must be connected with a protector in series when using.

12.

AOKAI only does the resistive electrical life verification and quality assurance. When the product is used in an environment with inductive load or capacitive load, it is recommended that the circuit should be connected in parallel with a surge protec-

13.

After continuous work, restarting immediately after disconnection will affect the pull-in voltage because the product is in a hot state, and the pull-in voltage will increase, which is a reasonable phenomenon.

14.