

### Features

1. Sealed with high-strength epoxy resin, no risk of arc leakage, ensuring no fire or explosion within the service life.
2. IP67  
Potting with mainly nitrogen inert gas improves arc extinguishing performance and effectively prevents contact oxidation and burnout. The contact resistance is low and stable, and the contact part can meet the IP67 protection grade.
3. 250A 85°C  
250A 85°C long time current carrying capacity.
4. 100M 1000VDC 3.5kV;  
The insulation resistance reaches 100M (1,000VDC), and the withstand voltage between the contact and the coil is 3.5kV.
5. IEC 60664-1 GB/T14048.1 GB/T14048.4  
Compliant with IEC 60664-1, GB/T14048.1 and GB/T14048.4 requirements.
6. RoHs 2015/863/EU REACH 1907/2006/EC ANSI/UL 60947-4-1-2014  
Comply with RoHs (2015/863/EU), REACH (1907/2006/EC), ANSI/UL 60947-4-1-2014 requirements.
7. CE CCC RoHS  
Safety certificate: CE, CCC, RoHS.

### Main Contact Specification

Contact Arrangement	1K (1NO)
Contact Polarity	Non-polarity
Contact Resistance	0.5m (at 250A)
Max. Switching Voltage	1,000VDC
Max. Breaking Current	2,000A (320VDC) 1 (Ops)
Electrical Endurance (Resistive Load)	3,000 (Ops) (1,000VDC, 250A)
	5,000 (Ops) (750VDC, 250A)
	8,000 (Ops) (500VDC, 250A)
Mechanical Endurance	300,000 (Ops)
Withstand Current	250A 250A, Continuous
	400A, 60min
	500A, 5min
	1500A, 1s
Temperature Rise	55K 70mm <sup>2</sup> 250A Main Contact Temperature Rise 55K(70mm <sup>2</sup> ), 250A Continuous)

### Auxiliary Contact Parameter

Aux. Contact Arrangement	FK/FB/FZ (1NO/1NC/1FZ)
Aux. Contact Rated Current	5A
Aux. Contact Max. Breaking Voltage	120VDC

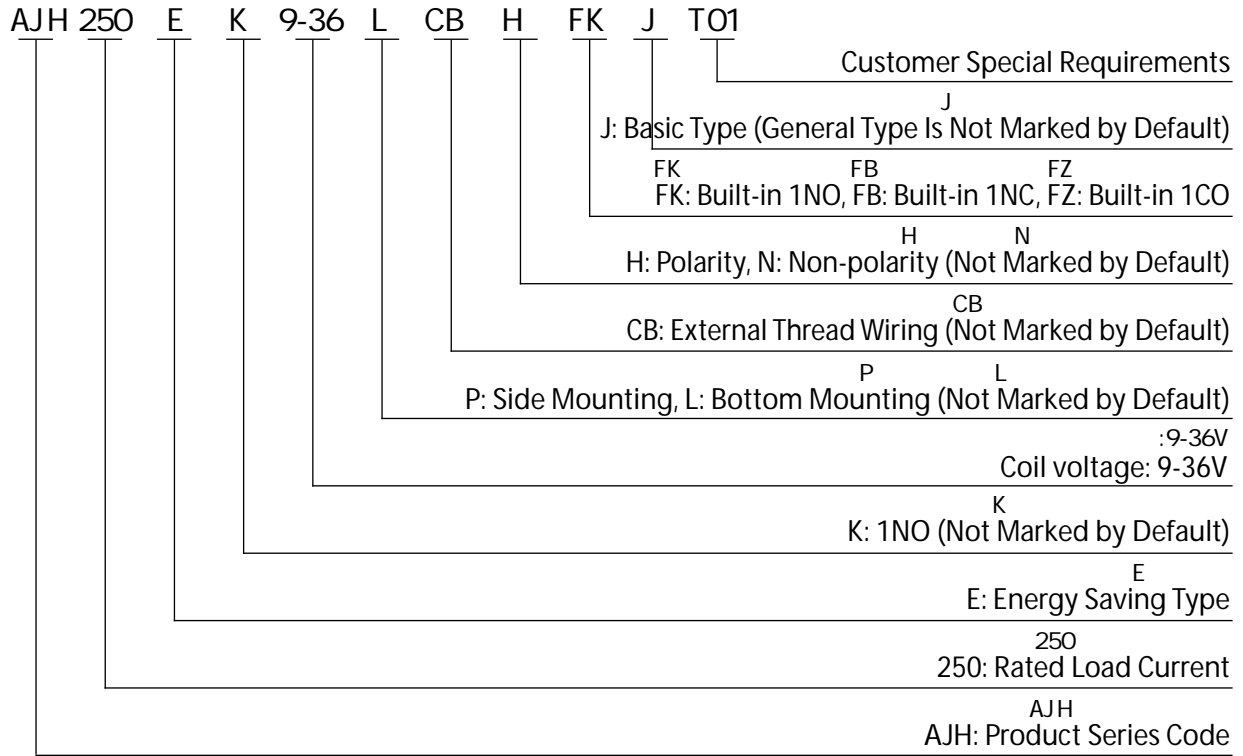
### Performance Parameter (at 23°C)

Pickup Voltage	See Coil Parameter Tables	
Dropout Voltage	See Coil Parameter Tables	
Pickup Time	30ms	
Contact Bounce Period	5ms	
Dropout Time	10ms	
Dielectric Strength	Between Main Contacts	10,000VDC 10s
	Between Main Contact and Coil	3,500VDC 1min
Insulation Resistance	Initial State	100M 1min
	After Electrical Life	50M 1min
Shock	Stability	20g 20g (Power On)
	Strength	50g
Vibration	10g, 10-500Hz, 1/2 10g, 10-500Hz, 1/2 Sine Wave (Power On)	
Relative Humidity	5 ~95 RH	
Temperature	-40 ~85	
Load Terminal	M8 M8 External Thread	
Weight	About 480g	
Dimension	80x65.5x72.5mm	
/	/	
/	/	

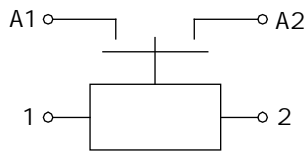
# AJH250E AJH250E Coil Parameter

Coil Voltage	Pickup Voltage VDC	Dropout Voltage VDC	Coil Resistance	Starting Power	Holding Power
9-36V	9-36V	5-7V	3.3 ± 10%	25W± 10%	3.0W± 10%

## Model Coding



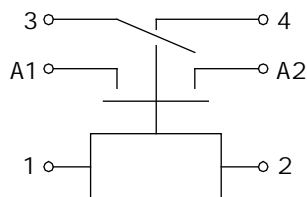
## Wiring Diagram



Wiring Diagram without Auxiliary Contact

A1 A2  
3 4  
1 2      9-36V

Note: A1&A2 main terminals with non-polarity,  
3&4 auxiliary contact terminals,  
1&2 Circuit diagram 9-36V.

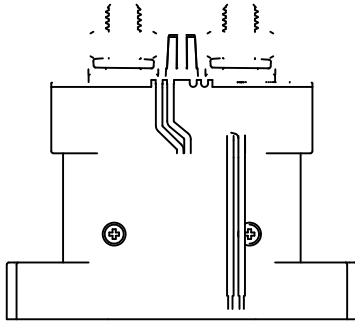


Wiring Diagram with 1NO Auxiliary Contact

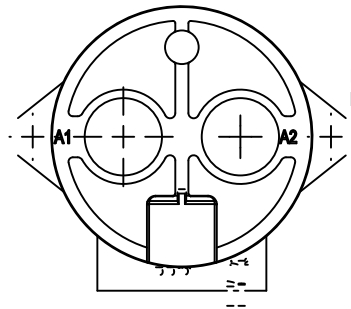
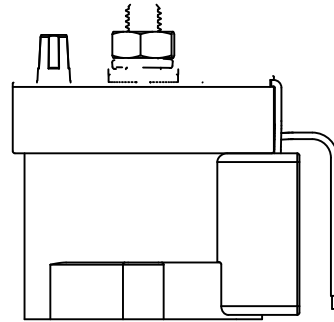
# Outline Installation Dimension Drawing

## Without Auxiliary Switch

2-M8  
2-M8 Hexagon Bolts, Mounting Torque 8-10N.m



400±50mm  
Leading Wire Length 400±50mm



2-M5  
2-3N.m  
Recommend 2-M5 Bolts,  
Mounting Torque 2-3N.m

x2( )  
Coil Leading Wire\*2 (Black)

## With Auxiliary Switch

## Usage Cautions

1.

Regarding the application of this product, please select the matching product according to your specific use conditions and environmental requirements when selecting the product. If the requirements are not clearly specified, please contact AOKAI to obtain more technical support.

2.

When installing and using this product, regardless of wiring or fixed installation, it is required to use anti-loose spring washers.

4.