

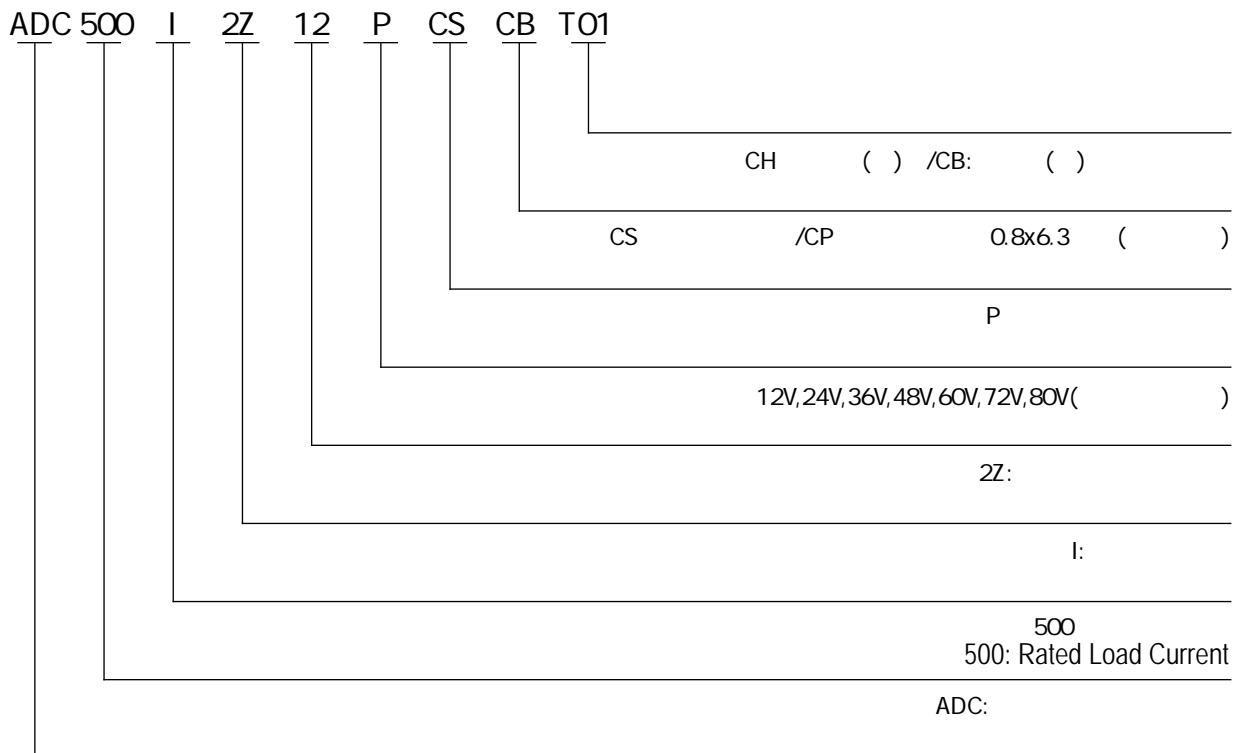


1. 500A ;
Intermittent 500A load.
2. ;
It has two sets of normally open and two sets of normally closed contacts.

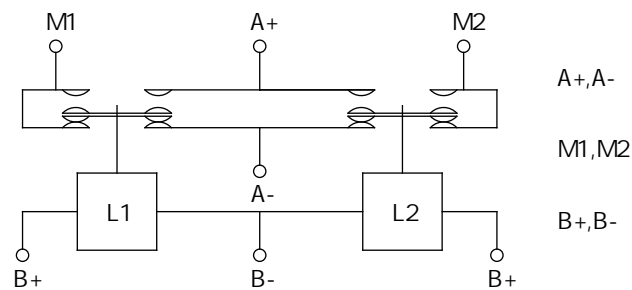
ADC500I ADC500I Coil Parameters

			Coil Resistance	Coil Power Consumption
12V	70% Us	5% -40% Us	6 ± 10%	24W± 10%
24V	70% Us	5% -40% Us	24 ± 10%	24W± 10%
36V	70% Us	5% -40% Us	54 ± 10%	24W± 10%
48V	70% Us	5% -40% Us	96 ± 10%	24W± 10%
60V	70% Us	5% -40% Us	150 ± 10%	24W± 10%
72V	70% Us	5% -40% Us	216 ± 10%	24W± 10%

Model Coding



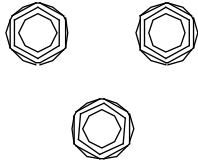
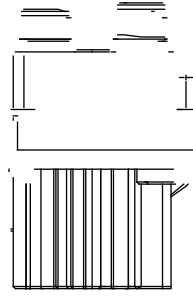
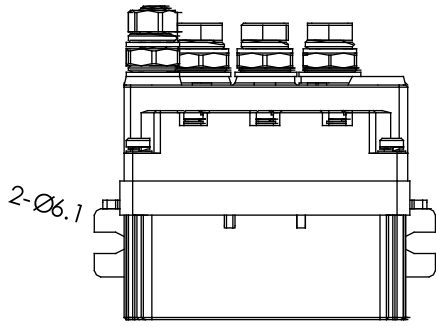
Wiring Diagram



ADC500I
ADC500I Wiring Diagram

Outline Installation Dimension Drawing

ADC500I



4-M8
Load Wiring 4-M8
8-10N.m

3-M3
0.5-0.8N.m

ADC500ICP

2-Ø6.1

4-M8
Load Wiring 4-M8
8-10N.m

3-0.8x6.3
Spade Terminal

Outline Installation Dimension Drawing

ADC500ICB

2- $\varnothing 6.1$

4-M8
Load Wiring 4-M8
8-10N.m

3-M3
0.5-0.8N.m

ADC500ICPCB

2- $\varnothing 6.1$

4-M8
Load Wiring 4-M8
8-10N.m

3-0.8x6.3
Spade Terminal

Outline Installation Dimension Drawing

4-M8

3-0.8x6.3

Spade Terminal

Usage Cautions

1.

2.

to obtain more technical support.

3.

4.

5.

with thermal radiation. It is recommended to use it with a cooling fan.

6. 30cm

7.

8.

9.

10.

tion device.

11.

12.

It is strictly prohibited to wiring when power on.